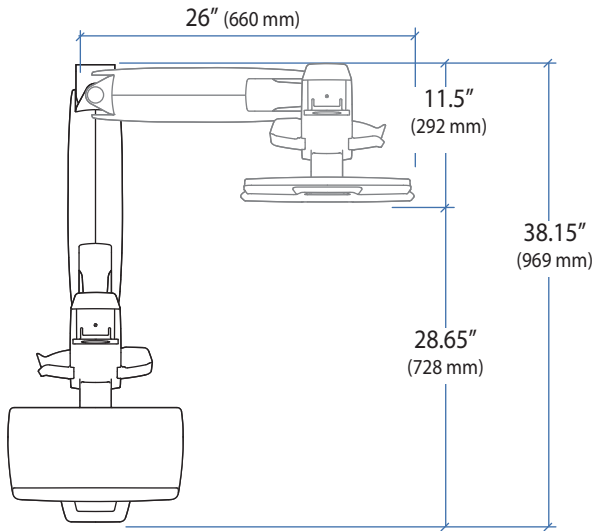
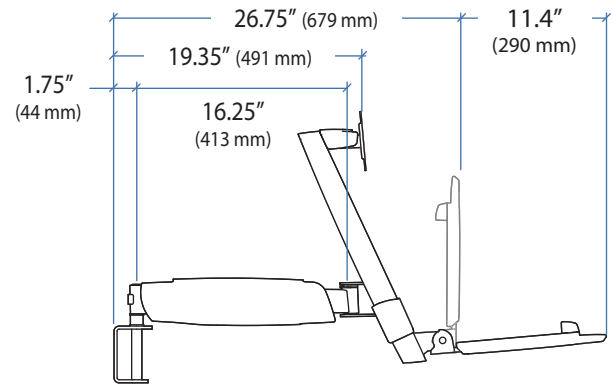
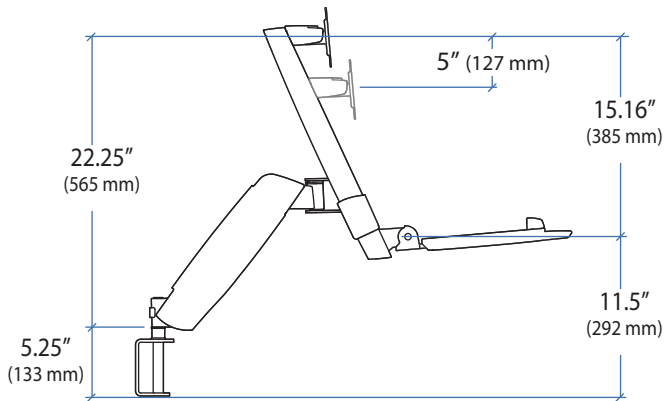
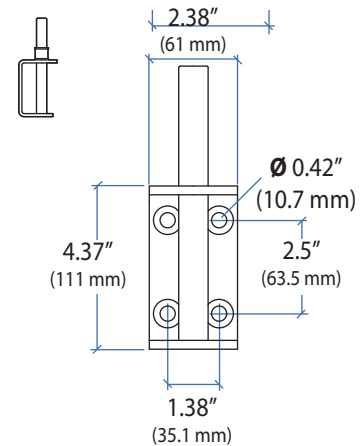


HD Combo Arm

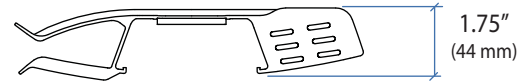
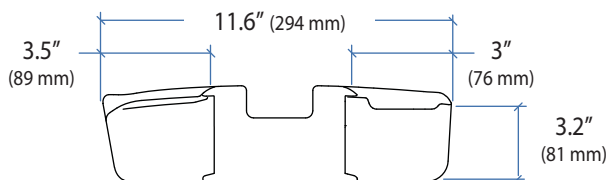


Top View

Wall Mount Bracket



Mouse/Scanner Holder



Top View

© 2010 Ergotron, Inc. rev. 05/12/2010 DIM-HD Combo Content is subject to change without notification

Americas Sales and Corporate Headquarters

St. Paul, MN USA
(800) 888-8458
+1-651-681-7600
www.ergotron.com
sales@ergotron.com

EMEA Sales

Amersfoort, The Netherlands
+31 33 45 45 600
www.ergotron.com
info.eu@ergotron.com

APAC Sale

Tokyo, Japan
www.ergotron.com
apaccustomerservice@ergotron.com

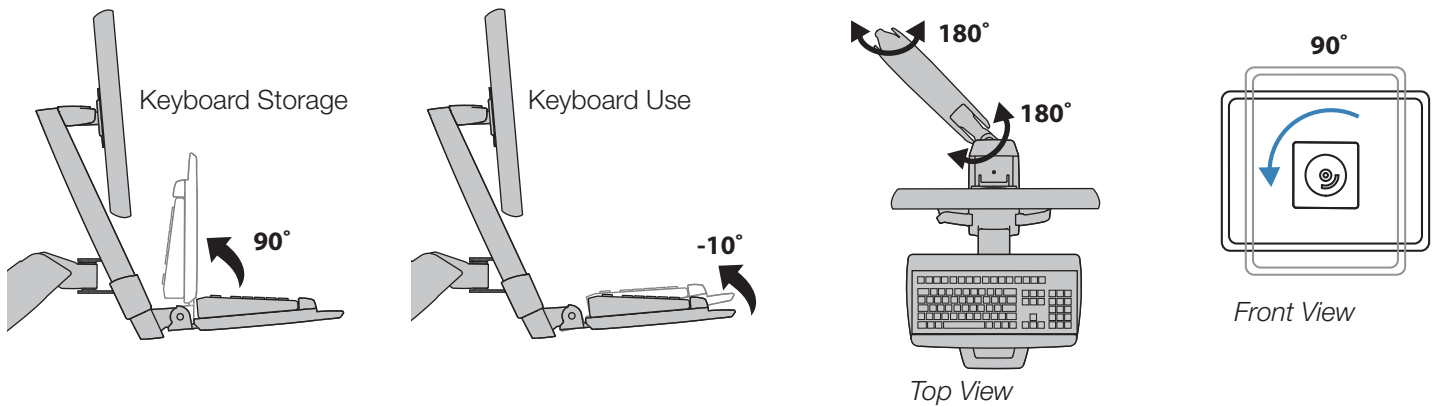
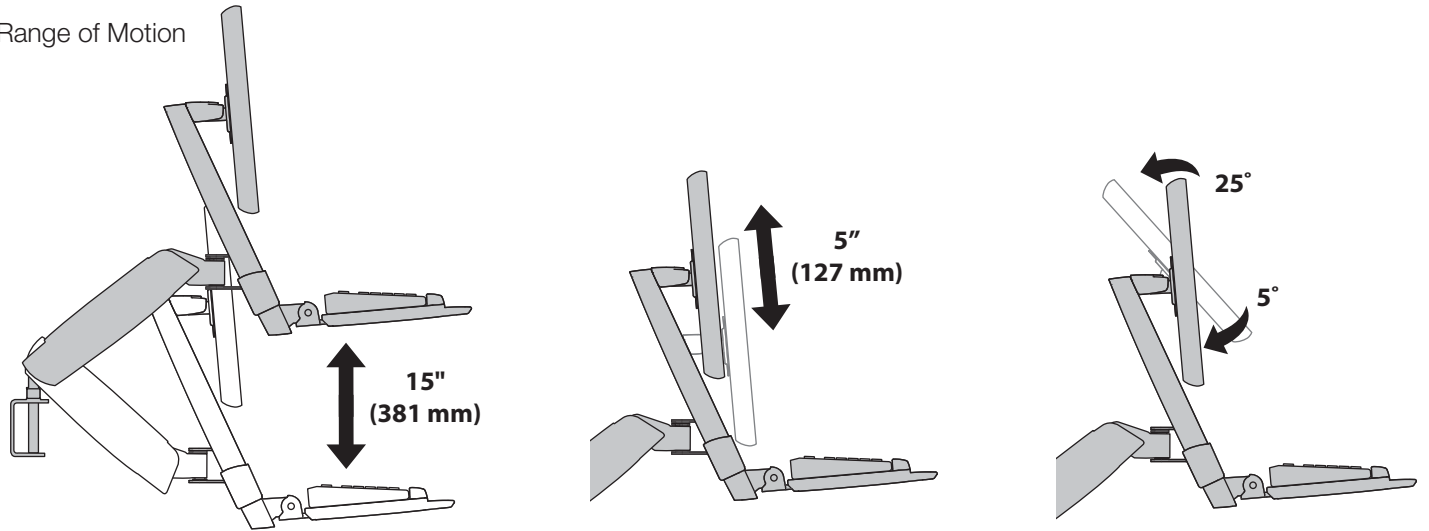
Worldwide OEM Sales

www.ergotron.com
info.oem@ergotron.com

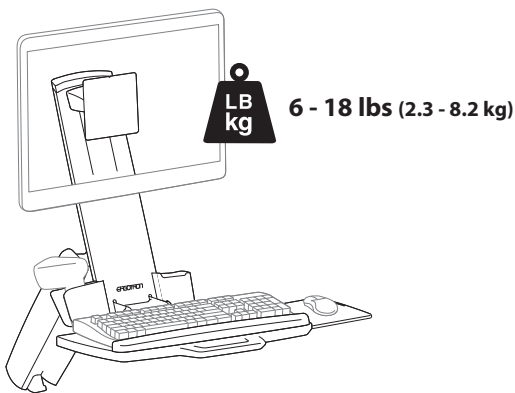


HD Combo Arm

Range of Motion



Maximum Weight Capacity



© 2010 Ergotron, Inc. rev. 05/12/2010 DIM-HD Combo Content is subject to change without notification

Americas Sales and Corporate Headquarters

St. Paul, MN USA
 (800) 888-8458
 +1-651-681-7600
 www.ergotron.com
 sales@ergotron.com

EMEA Sales

Amersfoort, The Netherlands
 +31 33 45 45 600
 www.ergotron.com
 info.eu@ergotron.com

APAC Sale

Tokyo, Japan
 www.ergotron.com
 apaccustomerservice@ergotron.com

Worldwide OEM Sales

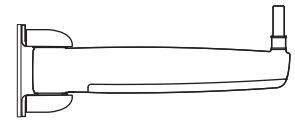
www.ergotron.com
 info.oem@ergotron.com



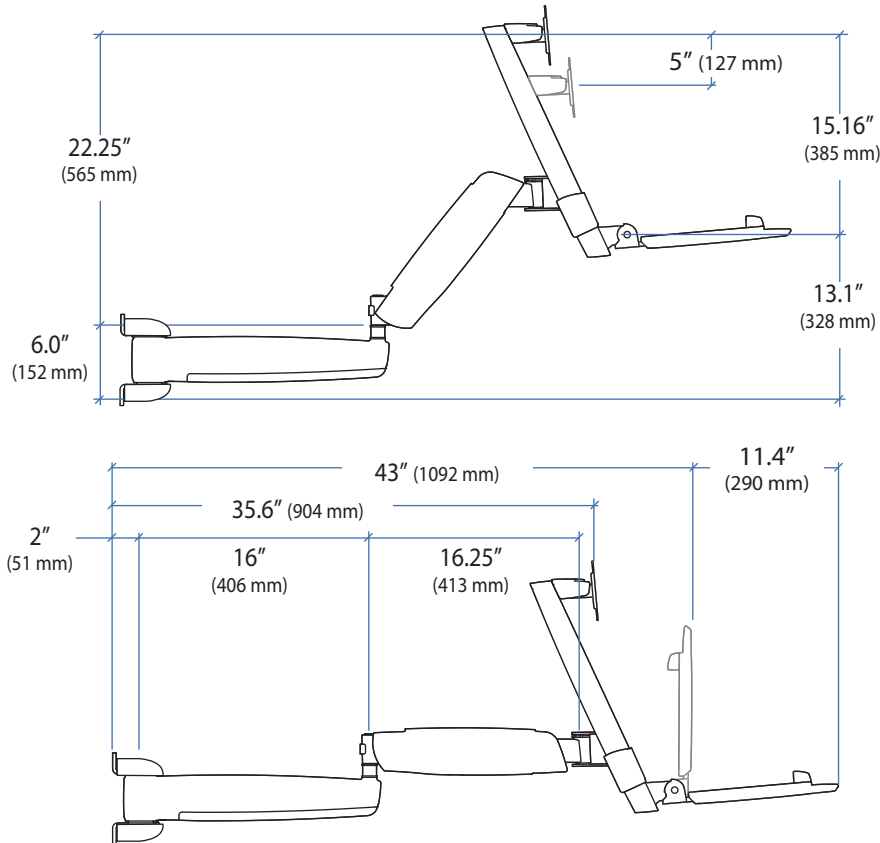
Ergotron® StyleView

Dimensional Illustrations

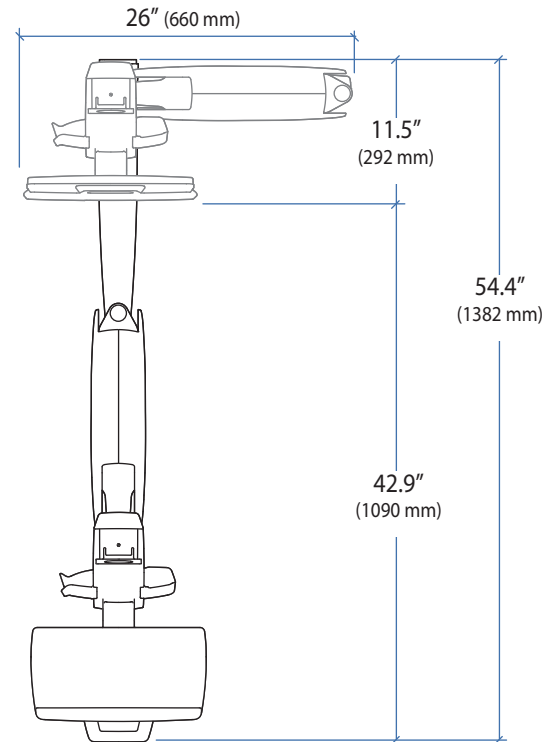
HD Extender Arm



Side View

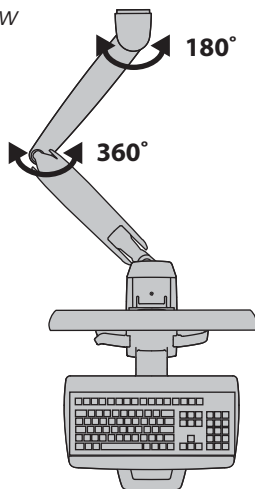


Top View



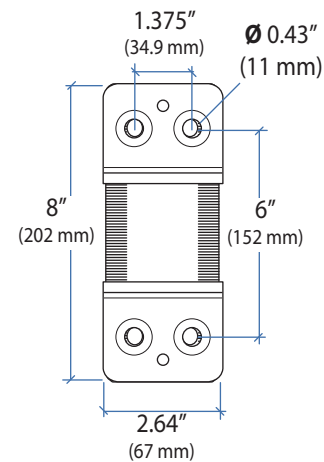
Range of Motion

Top View



Wall Mount Bracket

Front View



© 2010 Ergotron, Inc. rev. 05/12/2010 DIM-HD Combo Content is subject to change without notification

Americas Sales and Corporate Headquarters

St. Paul, MN USA
 (800) 888-8458
 +1-651-681-7600
 www.ergotron.com
 sales@ergotron.com

EMEA Sales

Amersfoort, The Netherlands
 +31 33 45 45 600
 www.ergotron.com
 info.eu@ergotron.com

APAC Sale

Tokyo, Japan
 www.ergotron.com
 apaccustomerservice@ergotron.com

Worldwide OEM Sales

www.ergotron.com
 info.oem@ergotron.com

