

Model Numbers

FPEPM-05:	5ft. Indoor/Outdoor Tilting Pedestal Mount for Protective Enclosures (FPE42(H)-S, FPE47(H)-S & FPE55(H)-S)
FPEPM-06:	6ft. Indoor/Outdoor Tilting Pedestal Mount for Protective Enclosures (FPE42(H)-S, FPE47(H)-S & FPE55(H)-S)
FPEPM-07:	7ft. Indoor/Outdoor Tilting Pedestal Mount for Protective Enclosures (FPE42(H)-S, FPE47(H)-S & FPE55(H)-S)
FPEPM-08:	8ft. Indoor/Outdoor Tilting Pedestal Mount for Protective Enclosures (FPE42(H)-S, FPE47(H)-S & FPE55(H)-S)

Product Specifications

	DIMENSIONS (W x H x D)		PRODUCT WEIGHT	LOAD CAPACITY	FINISH	AVAILABLE COLORS
FPEPM-05	18.79" x 75.95" x 15"	(477 x 1929 x 381mm)	136lb (61kg)	400lb (181kg)	Outdoor gloss powder paint	Stone gray
FPEPM-06	18.79" x 87.95" x 15"	(477 x 2233 x 381mm)	146lb (66kg)			
FPEPM-07	18.79" x 99.95" x 15"	(477 x 2538 x 381mm)	155lb (70kg)			
FPEPM-08	18.79" x 111.95" x 15"	(477 x 2843 x 381mm)	165lb (74kg)			

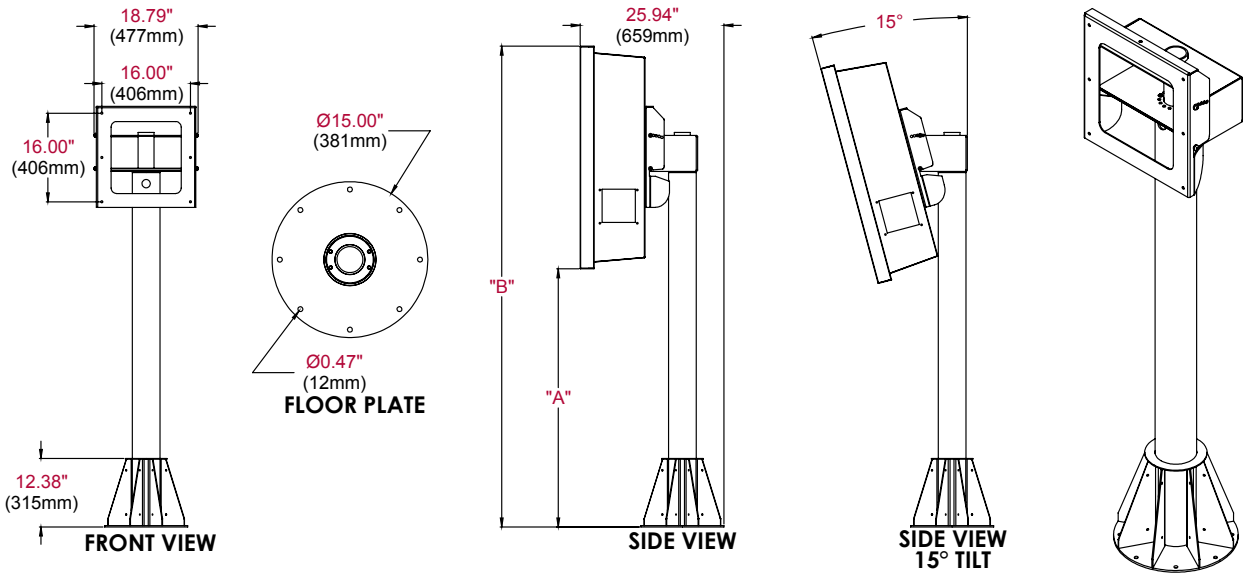
Package Specifications

	PACKAGE SIZE (W x H x D)	PACKAGE SHIP WEIGHT	PACKAGE UPC CODE	PACKAGE CONTENTS	UNITS IN PACKAGE
FPEPM-05	Box 1: 24" x 20" x 11" (610 x 508 x 279mm) Box 2: 65" x 18" x 16" (1651 x 457 x 406mm)	138lb (62kg)	735029275022	Pedestal mount and mounting hardware	1
FPEPM-06	Box 1: 24" x 20" x 11" (610 x 508 x 279mm) Box 2: 65" x 18" x 16" (1651 x 457 x 406mm)	148lb (67kg)	735029275039		
FPEPM-07	Box 1: 24" x 20" x 11" (610 x 508 x 279mm) Box 2: 77" x 18" x 16" (1955 x 457 x 406mm)	158lb (71kg)	735029275046		
FPEPM-08	Box 1: 24" x 20" x 11" (610 x 508 x 279mm) Box 2: 89" x 18" x 16" (2260 x 457 x 406mm)	168lb (76kg)	735029275053		

Accessories

FPE42F-S:	Indoor/Outdoor Protective Enclosure with Cooling Fans for 40"-42" Flat Panel Screens
FPE47F-S:	Indoor/Outdoor Protective Enclosure with Cooling Fans for 46"-47" Flat Panel Screens
FPE55F-S:	Indoor/Outdoor Protective Enclosure with Cooling Fans for 52"-55" Flat Panel Screens
FPE42FH-S:	Indoor/Outdoor Protective Enclosure with Cooling Fans and Thermostat Controlled Heater for 40"-42" Flat Panel Screens
FPE47FH-S:	Indoor/Outdoor Protective Enclosure with Cooling Fans and Thermostat Controlled Heater for 46"-47" Flat Panel Screens
FPE55FH-S:	Indoor/Outdoor Protective Enclosure with Cooling Fans and Thermostat Controlled Heater for 52"-55" Flat Panel Screens

All dimensions = inch (mm)



	FPEPM-05	FPEPM-06	FPEPM-07	FPEPM-08
FPE42F-S, FPE42FH-S	"A" = 49.83" (1266mm) "B" = 83.63" (2124mm)	"A" = 61.83" (1570mm) "B" = 95.63" (2429mm)	"A" = 73.83" (1875mm) "B" = 107.63" (2734mm)	"A" = 85.83" (2180mm) "B" = 119.63" (3039mm)
FPE47F-S, FPE47FH-S	"A" = 48.61" (1235mm) "B" = 84.86" (2155mm)	"A" = 60.61" (1539mm) "B" = 96.86" (2460mm)	"A" = 72.61" (1844mm) "B" = 108.86" (2765mm)	"A" = 84.61" (2149mm) "B" = 120.86" (3070mm)
FPE55F-S, FPE55FH-S	"A" = 46.64" (1185mm) "B" = 86.82" (2205mm)	"A" = 58.64" (1489mm) "B" = 98.82" (2510mm)	"A" = 70.64" (1794mm) "B" = 110.82" (2815mm)	"A" = 82.64" (2099mm) "B" = 122.82" (3120mm)

ARCHITECTS SPECIFICATIONS

The Indoor/Outdoor Tilting Pedestal Mount shall be a Peerless model number FPEPM and located where indicated on the plans. Assembly and installation shall be done according to instructions provided by the manufacturer. Mount is made of heavy gauge cold rolled steel. Mount is finished with a glossy ASA-70 gray protective paint.