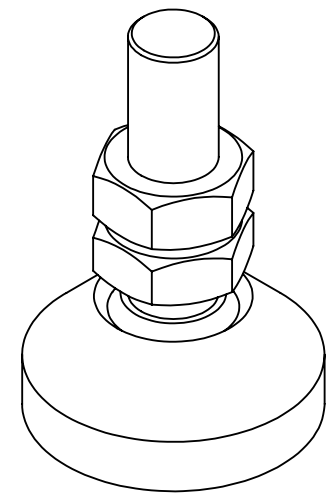
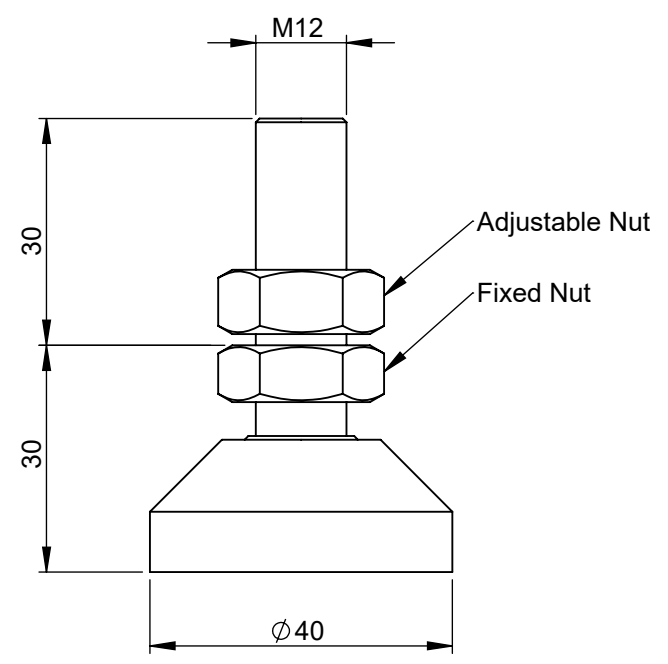
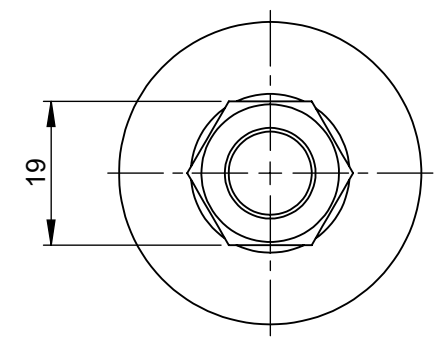


Revision History						
Rev.	Date	CNR	Description of Revision	Drwn.	Chkd.	Appr.
R01	18 Apr 2018		First Issue	AL	CW	GP



**NOTES:**

- Static Capacity: 200Kg
- All dimensions are before adding a finish.
- Metric threads to BS3643 - Internal 6H, External 6g.
- All burrs & sharp edges must be removed.

<b>B-Tech International Design &amp; Manufacturing Limited</b> Part of the B-Tech International Group of Companies		<b>Drawing Type:</b> Engineering Drawing	
		<b>Description:</b> 40mm Articulating Foot - M12x30mm Thread	
	Unless otherwise specified: - Dimensions are in mm - Bends are 90 degrees - Tolerances are: Decimals    Angles X ± 0.5       ± 1 .X ± 0.30 .XX ± 0.15		<b>Part No:</b> PAP-00020
			<b>Revision:</b> R01
			<b>Material:</b> Material <not specified>
			<b>Finish:</b> Natural
			<b>Weight:</b> 71.00 grams
<b>Scale:</b> 1:1	<b>Size:</b> A3	<b>Sheet:</b> 1 of 1	<b>File Name:</b> PAP-00020