



# User Manual

---

## **DS551DR4**



**DynaScan**

Version 2.00

The use of diagrams and illustrations in the manual are for reference only. The actual product may be different.  
Product design and specifications are subject to change without notice

# Contents

---

Material Contents Declaration .....	2
Recycling and Energy Information .....	2
Declaration of Conformity .....	3
Safety Precautions .....	5
Safety Precautions .....	5
Important Safety Information .....	6
Getting Started .....	7
Contents .....	7
Installing and Replacing Remote Control Batteries.....	7
Installation.....	8
Connecting to a Power Source.....	10
Connecting an External Video Source .....	11
Connector Positions .....	12
Input / Output Terminals.....	12
Operating Instructions .....	13
Powering On/Off the Display .....	13
Using the Remote Control .....	13
Navigating the On Screen Display (OSD) Menu .....	16
Specifications .....	21
Input Mode.....	22
Pin Assignments.....	23
RS-232 Input .....	23
Troubleshooting.....	24
About DSM365 .....	25

# Material Contents Declaration

Part Name	Hazardous Substances					
	Lead	Mercury	Cadmium	Hexavalent Chromium	Polybrominated Biphenyls	Polybromodiphenyl Ethers
	Pb	Hg	Cd	Cr <sup>6+</sup>	PBB	PBDE
PCBA	○	○	○	○	○	○
CHASSIS	○	○	○	○	○	○
ACCESSORY	○	○	○	○	○	○
PACKAGE	○	○	○	○	○	○

“○” indicates that the level of the specified chemical substance is less than the threshold level specified in the standards of SJ/T-11363-2006 and EU 2005/618/EC.  
 “×” indicates that the level of the specified chemical substance exceeds the threshold level specified in the standards of SJ/T-11363-2006 and EU 2005/618/EC.

# Recycling and Energy Information

DynaScan is firmly committed to its environmental protection efforts and we believe that reducing our products' impact on the environment is of the utmost importance. We are dedicated to meet the latest environmental protection regulations.

## Energy usage

Mode	Energy Consumption
Normal	Max. 380 W
Standby	< 1 W

## Disposal

Do not dispose of electrical appliances as unsorted municipal waste, use separate collection facilities. Contact your local government for information regarding the collection systems available. If electrical appliances are disposed of in landfills or dumps, hazardous substances can leak into the groundwater and get into the food chain, damaging your health and well-being. When replacing old appliances with new one, the retailer is legally obligated to take back your old appliances for disposal at least for free of charge.



# Declaration of Conformity

---

## FCC

This device complies with Part 15 of the FCC Rules. Operation is subject to the following two conditions: (1) this device may not cause harmful interference, and (2) this device must accept any interference received, including interference that may cause undesired operation.

## FEDERAL COMMUNICATIONS COMMISSION INTERFERENCE STATEMENT

This equipment has been tested and found to comply with the limits for a Class B digital device, pursuant to part 15 of the FCC Rules. These limits are designed to provide reasonable protection against harmful interference in a residential installation. This equipment generates, uses and can radiate radio frequency energy and, if not installed and used in accordance with the instructions, may cause harmful interference to radio communications. However, there is no guarantee that interference will not occur in a particular installation. If this equipment does cause harmful interference to radio or television reception, which can be determined by turning the equipment off and on, the user is encouraged to try to correct the interference by one or more of the following measures:


- Reorient or relocate the receiving antenna.
- Increase the separation between the equipment and receiver.
- Connect the equipment into an outlet on a circuit different from that to which the receiver is connected.
- Consult the dealer or an experienced radio/ TV technician for help.

## CAUTION:

Any changes or modifications not expressly approved by the grantee of this device could void the user's authority to operate the equipment.

## RF exposure warning

This equipment must be installed and operated in accordance with provided instructions and the antenna(s) used for this transmitter must be installed to provide a separation distance of at least 20 cm from all persons and must not be co-located or operating in conjunction with any other antenna or transmitter. End-users and installers must be provide with antenna installation instructions and transmitter operating conditions for satisfying RF exposure compliance.

Declaration of the Manufacturer	
<p>We hereby certify that the Professional LCD DS551DR4 is in compliance with</p> <p>Low Voltage Directive 2014/35/EU EN 60950-1 EN 62311</p> <p>EMC Directive 2014/30/EU EN 55032:2012+AC:2013 Class B ITE EN 61000-3-2:2014 EN 61000-3-3:2013 EN 55024:2010+A1:2015 EN 61000-4-2:2009 EN 61000-4-3:2006+A1:2008+A2:2010 EN 61000-4-4:2012 EN 61000-4-5:2014 EN 61000-4-6:2014 EN 61000-4-8 :2010 EN 61000-4-11:2004</p> <p>Hereby, DynaScan Technology, declares that this Product is in compliance with the essential requirements and other relevant provisions of Directive 1999/5/EC.</p>	

This device complies with **Directive 2014/53/EU** issued by the Commission of the European Community.  
( Device certification standard: EN 300 328 / EN 301 489-1/-17 / EN 55032 / EN 55024 / EN 60950 / EN 62311 )

**- Frequency bands and Powers**

- a. WIFI 2.4G-2412~2462MHz.
- b. Maximum radio-frequency power transmitted in the 2.4GHz is 50mW.

**- Additional requirement for Phoenix:**


**Battery:**


CAUTION : RISK OF EXPLOSION IF BATTERY IS REPLACED BY AN INCORRECT TYPE.  
DISPOSE OF USED BATTERIES ACCORDING TO THE INSTRUCTIONS.


**USB data transmission**

Users have to use the connection to USB interfaces with USB 2.0 version or higher.

# Safety Precautions

<b>CAUTION</b>	
	Do not install the display in a wet environment or place anything filled with liquid such as a vase or beverage on top of it.
	Do not install the display near flammable objects such as gasoline or other volatile liquids.
	Do not install the display near any heat sources such as radiators or other heating devices.
	Do not install the display in the dusty environment.
	Do not damage the power cord or plug.
	Do not disassemble the screen to avoid electric shock.
	The product can normally be operated at an altitude under 2000m. Abnormalities may occur when installing the device at an altitude above 2000m.
	Please affix the stand to the ground steadily before mounting the display onto the stand.

<b>WARNING</b>	
	Do not touch the screen panel with sharp objects or extreme pressure to avoid damaging the panel.
	The display should be installed in well-ventilated place, do not install it in a confined space.
	Do not drop or allow any objects to fall on the screen.
	Do not touch the screen with wet hands to avoid electric shock.
	Unplug the power cord before cleaning the device. Use a soft and dry cloth to wipe the screen off. Do not use alcohol or other chemical liquids.
	If you smell smoke or hear strange noises, immediately unplug the monitor and contact the vendor.
	Do not discard this product with general household waste. Be sure to comply with the local waste regulations for disposal.
	Suitable for mounting on concrete and non-combustible surface only.
	This device uses, generates and radiated radio frequency energy. The radio frequency energy produced by this device is well below the maximum exposure allows by Federal Communications Commission (FCC).
	Please pay attention to the ground wire in a sensible and professional manner. Keep ground wire connected to prevent electrical shock.

<b>IMAGE BURN-IN WARNING</b>	
	When a stationary or fixed image is displayed on the screen for a long time, the image may be permanently imprinted on the screen. This phenomenon is known as image burn-in and is not covered by the manufacturer's warranty.
	In order to avoid burn-in, avoid prolonged display of static or fixed images on the screen.

# Important Safety Information

---

- Disassembling the LCD is strictly prohibited. Opening the cover may expose the user to electric shock or other hazards. Please contact DynaScan certified service professionals for all maintenance requirements.
- Do not allow any liquid to enter the LCD. Also avoid placing the LCD close to water sources.
- Do not place heavy objects on the power cord. A damaged power cord might cause electric shock or fire.
- Do not bend, twist, or damage the power cord.
- The power cord must comply with the local safety regulations.
- Do not damage or modify the prongs/pins and the ground contact on the power cord plug.
- Do not place the LCD on an unlevelled surface or an unstable vehicle. The LCD could fall over and cause substantial damage.
- Do not cover the vents and/or the heat sink.
- Do not install the LCD beside radiators or other heat sources. The installation site should have sufficient ventilation so the heat generated by the LCD can be dissipated.
- Do not use the Signage in a hot, humid, dusty, or fummy environment.
- Handle the LCD with care. Save the packaging materials for transport later.
- Clean the LCD vents at least once a month for dust and other particles.

**Unplug the LCD immediately and contact a DynaScan certified service professional as soon as possible when any of the following situations occurs:**

- Damaged power cord or power plug.
- If liquid or foreign object has entered the LCD.
- If the LCD has been exposed to rain or water.
- If the LCD has been dropped or the casing has become damaged.
- If any structural damage such as cracks or unnatural vibration is found.
- If the LCD cannot be operated following the steps outlined in this manual.
- If the LCD emits smoke or other odors, or generates strange noises.

## Operating Suggestions

- Avoid displaying a stationary image for a long period of time in order to prevent image sticking.

## Cleaning the Panel

- Use a soft, lint-free cloth to gently wipe the dust off from the screen panel.
- Do not use any hard material to wipe the panel.
- Do not poke the panel with your hand or any sharp object (such as a pen or a nail) or exert excessive pressure on the panel to prevent any damage.
- Do not use any cleaning solutions on the panel as it might cause discoloration.

## Cleaning the Casing

- Unplug the power cord.
- Gently wipe the casing with a soft cloth.

## Attention

- Do not use any of the following solutions to clean the casing as they may damage the paint and cause it to crack or peel: benzene solution, alkaline solution, alcohol-based cleaning solution, glass cleaner, wax, polisher, or detergent.

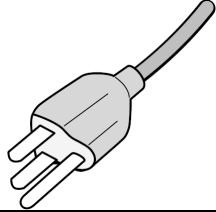
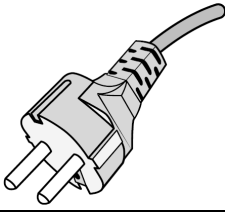
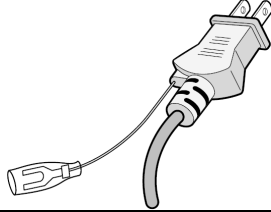
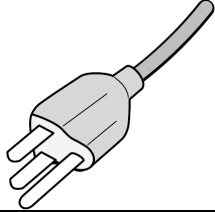
# Getting Started

## Contents

Confirm that the accessories below are shipped along with the display. If any item is missing, please contact your dealer. The color and shape of the accessories may vary with the products.

- DS551DR4 Professional LCD.
- Remote Control x 1 pc.
- Batteries (1.5V / AAA) x2 pcs.
- Power cable x1 pc.
- Quick Start Guide x1 pc.
- RS-232 cable x1 pc.
- Ethernet crossover cable x2 pcs.

**Attention:** Please use the following table to check whether the included power cord is suitable for your region. If the power cord does not match your region, please contact your local supplier. Please use matching AC socket in order to meet your local safety regulations.

Plug Type	North America	European Continental	Japan	Taiwan
Plug Shape				
Region	U.S.A. / Canada	EU (Except U.K.)	Japan	Taiwan
Voltage	120V	230V	100V	110V

## Installing and Replacing Remote Control Batteries

1. Open the battery compartment cover.
2. Insert 2 new AAA batteries.
3. Close the battery compartment cover.

### Warning:

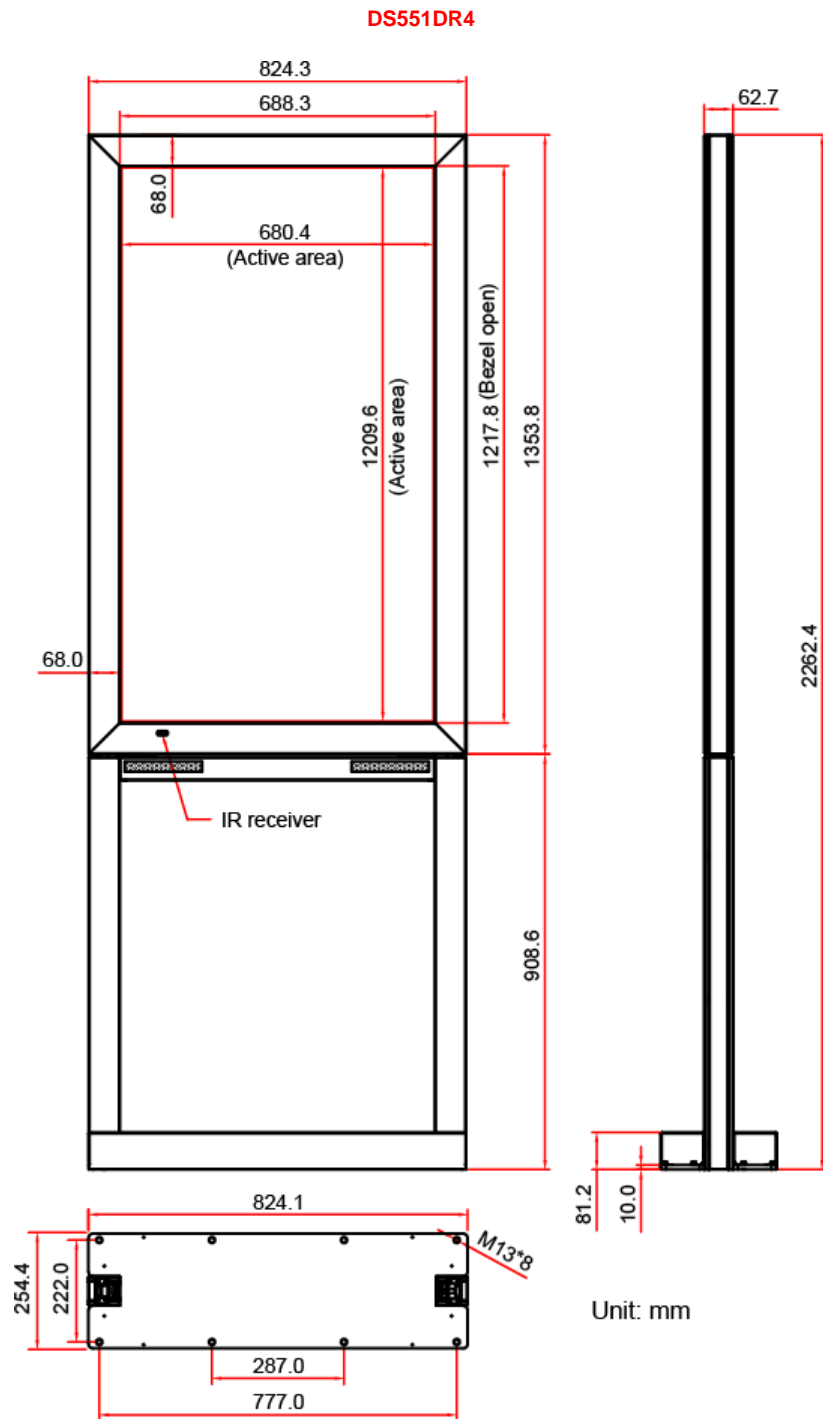
- Incorrect usage of batteries may cause leakage or explosion.
- Pay attention to the polarity when installing the batteries.
- Do not mix different types of batteries or new and used batteries. Doing so may shorten the battery life or cause leakage.
- Remove or replace the batteries when they are empty in order to prevent acid leaking in the battery compartment.
- Do not touch the leaked substance from the batteries in case of a battery leakage. Doing so may hurt human skin.

**Note:** If the remote control is not going to be used for a long time, we recommend removing the batteries from the remote control.



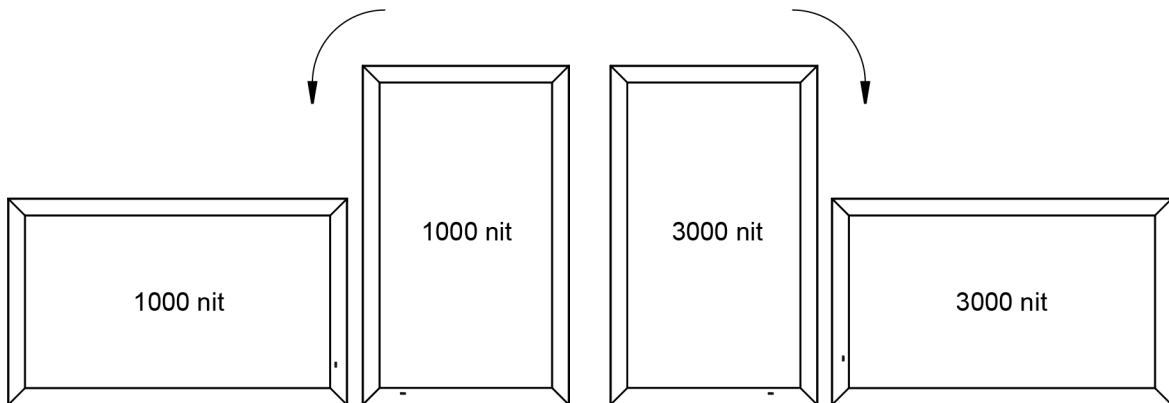
# Installation

The LCD must be properly installed onto the stand, details please refer to the display installation guide. Incorrect installation may cause injury or damage the equipment. Product warranty does not cover the damage caused by improper installation and DynaScan shall not be held responsible in such incident. If you attempt to install the LCD on a different way, such as hanging from the ceiling or your customized platform/ enclosure; please contact DynaScan directly for more assistance.



### Orientation

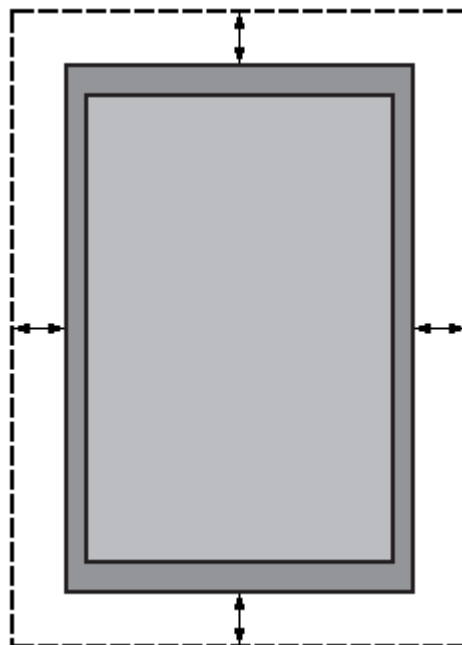
- When used in the portrait orientation, the LCD should be rotated clockwise when looking at the front of the display such that the left edge becomes the top edge.



Portrait mode: Rotate the set clockwise 90° (mandatory)

### Installation Location

- The mount location (ceiling, ground or platform, etc.) must have enough strength to support the LCD and its accessories.
- Do not install in a location with strong vibrations or is dusty.
- Do not install near the building's main electric panel.
- Ensure the LCD is secured in such a manner that it cannot be easily removed by the general public.
- Leave clearance around the outer edge of the LCD from other objects to ensure proper ventilation.
- For installations with screens inset into the wall, refer to section: Enclosures for cooling and ventilation considerations.



### When hanging from a ceiling

- Ensure that the ceiling is strong enough to support the LCD and its accessories. Earthquake, unexpected vibration and other external forces should be taken into consideration when evaluating the ceiling strength.
- The LCD should be secured to the building's structural frame such as a beam rather than light steel frame or interior decoration.
- Do not use wood screws or dry wall anchors for installation.

### Maintenance

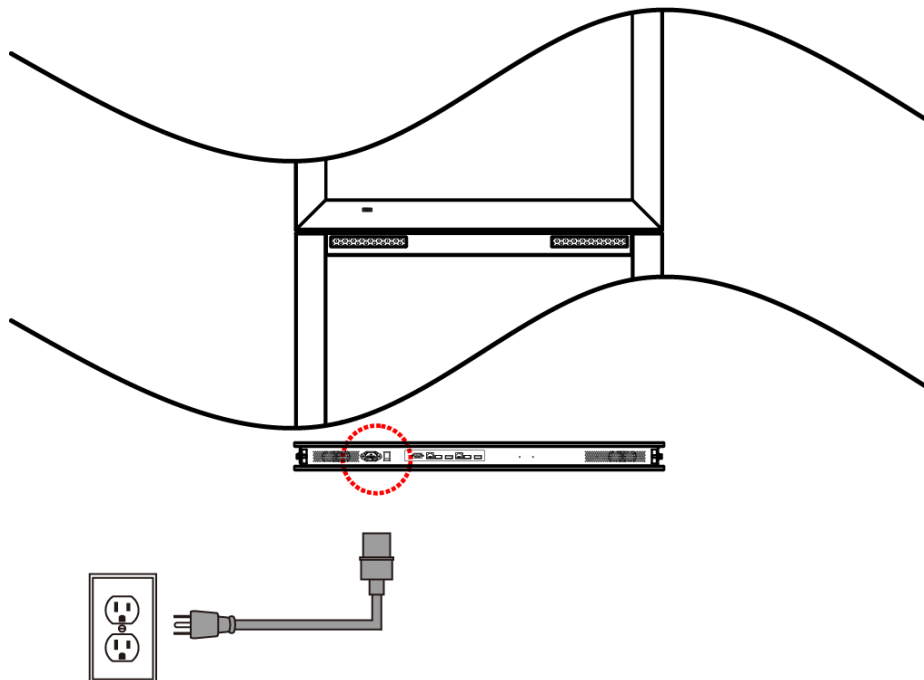
- Inspect the fasteners regularly for signs of loosening or deformation. Please perform appropriate corrective measures when a problem is identified. Neglecting the problem may worsen the situation.
- Increase the inspection frequency on areas where previous maintenance had occurred to ensure the problems do not occur again.

## Connecting to a Power Source

Using the power cable provided, plug it in the power inlet on the back of the display shown in the diagram below. Connect the power cable to a 110-220 volt, 50 / 60Hz AC power outlet.

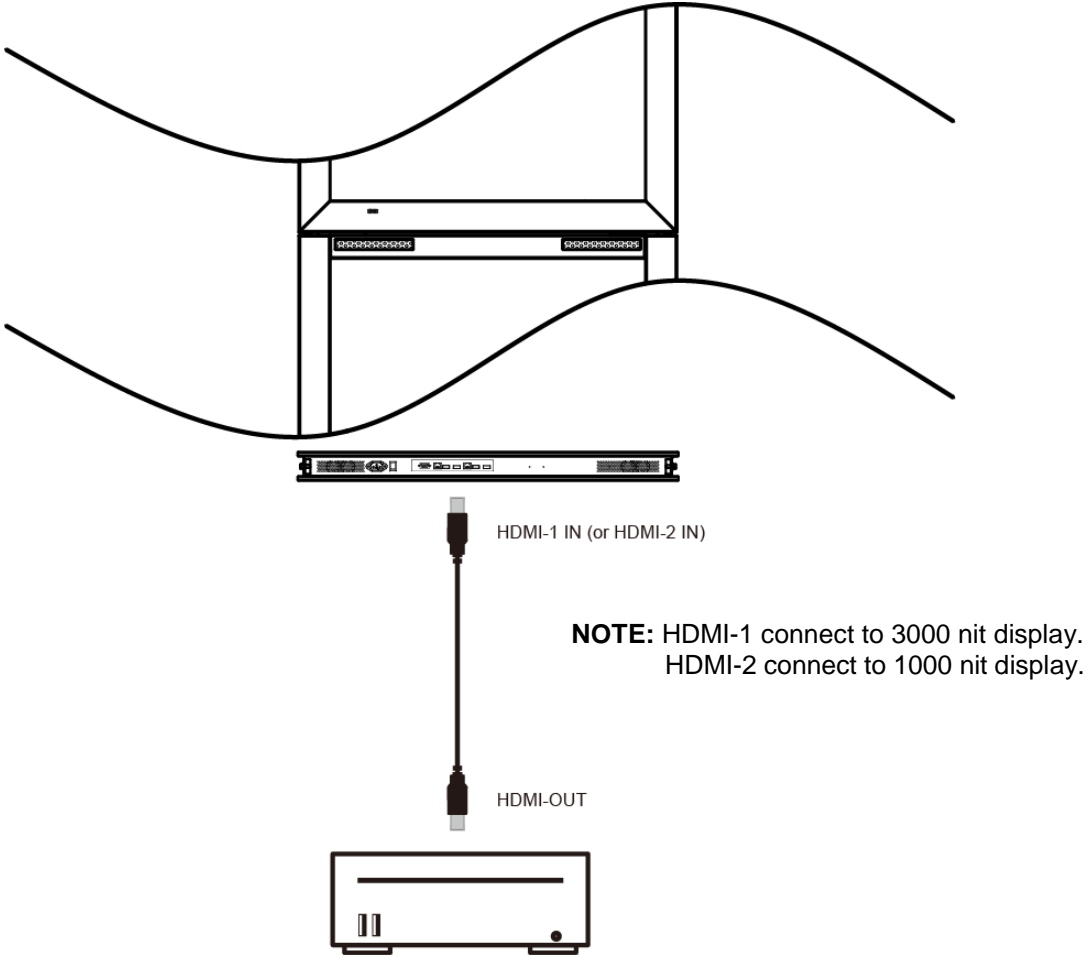


Insert the plug completely into the socket. A loose power connection may cause damage to the display and/or lead to a fire hazard.



# Connecting an External Video Source

Turn OFF the power of both LCD and external video device. Using the HDMI cable provided, insert one end into the HDMI-1 IN port (or HDMI-2 IN port) on the bottom of the display shown the in the diagram below. Connect the other end of the HDMI cable to the HDMI output of the video source. Refer to your video device's manual for additional information.

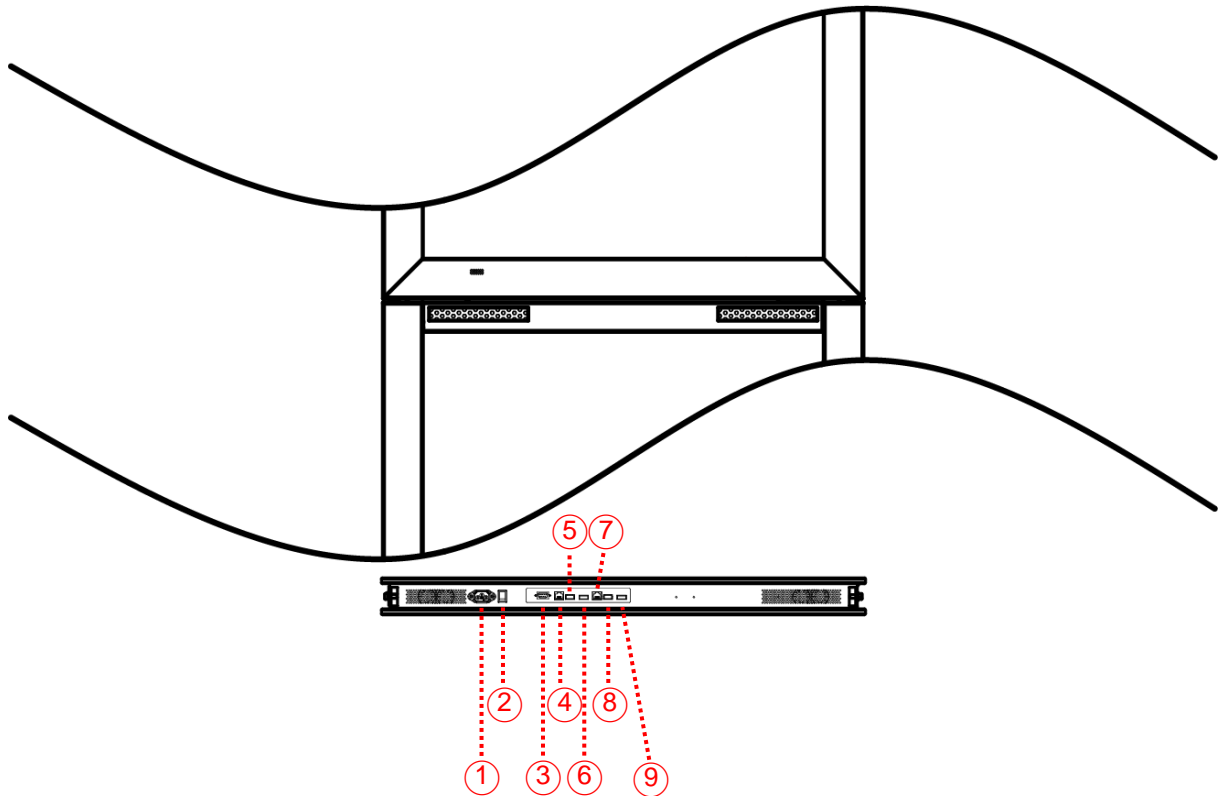


## Connector Positions

①	②	③	④	⑤	⑥	⑦
AC (IN)	Power Switch	RS-232 (IN)	RJ-45 (for 3000 nit)	USB port (for 3000 nit)	HDMI-1 (IN) (for 3000 nit)	RJ-45 (for 1000 nit)

⑧	⑨
USB port (for 1000 nit)	HDMI-2 (IN) (for 1000 nit)

### DS551DR4



## Input / Output Terminals

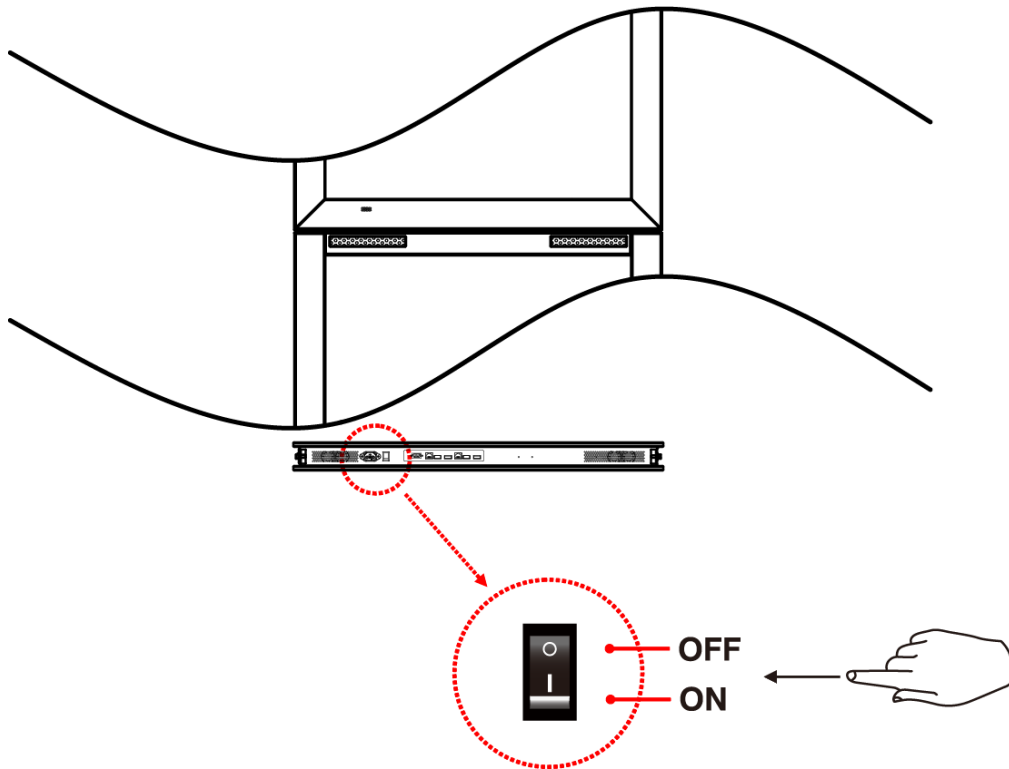
1. **AC (IN):** Connect the supplied power cord to the wall outlet.
2. **Power Switch:** Press to switch the main power on/off.
3. **RS-232 (IN):** RS232C network input connection for remote control from PC.
4. **RJ-45 (IN):** RJ45 network input connection. (for 3000 nit)
5. **USB port:** Support for USB flash drive storage, mouse and keyboard. (for 3000 nit)
6. **HDMI-1 (IN):** Connect the HDMI output of a PC, or the HDMI output of an AV device via a HDMI cable. (for 3000 nit)
7. **RJ-45 (IN):** RJ45 network input connection. (for 1000 nit)
8. **USB port:** Support for USB flash drive storage, mouse and keyboard. (for 1000 nit)
9. **HDMI-2 (IN):** Connect the HDMI output of a PC, or the HDMI output of an AV device via a HDMI cable. (for 1000 nit)

# Operating Instructions

---

## Powering On/Off the Display

To turn on/off the display, press the power switch on the back of the display as shown in the diagram below.



**NOTE:** The remote control only works when the power switch is ON.

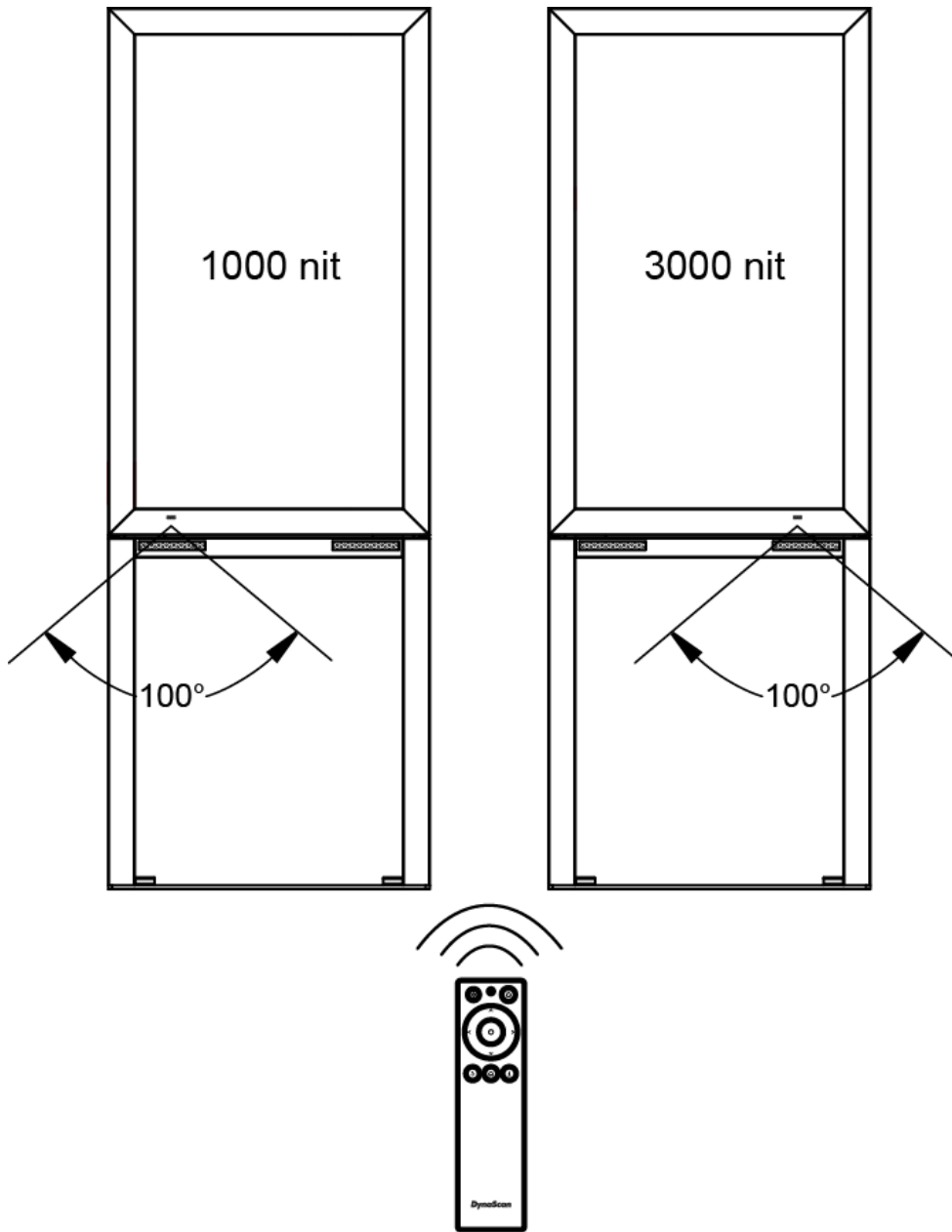
## Using the Remote Control

When using the remote control, aim the remote at the IR receiver on the display. The IR receiver on the DS552LT6-1 model is at the rear of the display with a receiving angle of 100 degrees. The IR receiver configurations of the model are shown in the figure below.

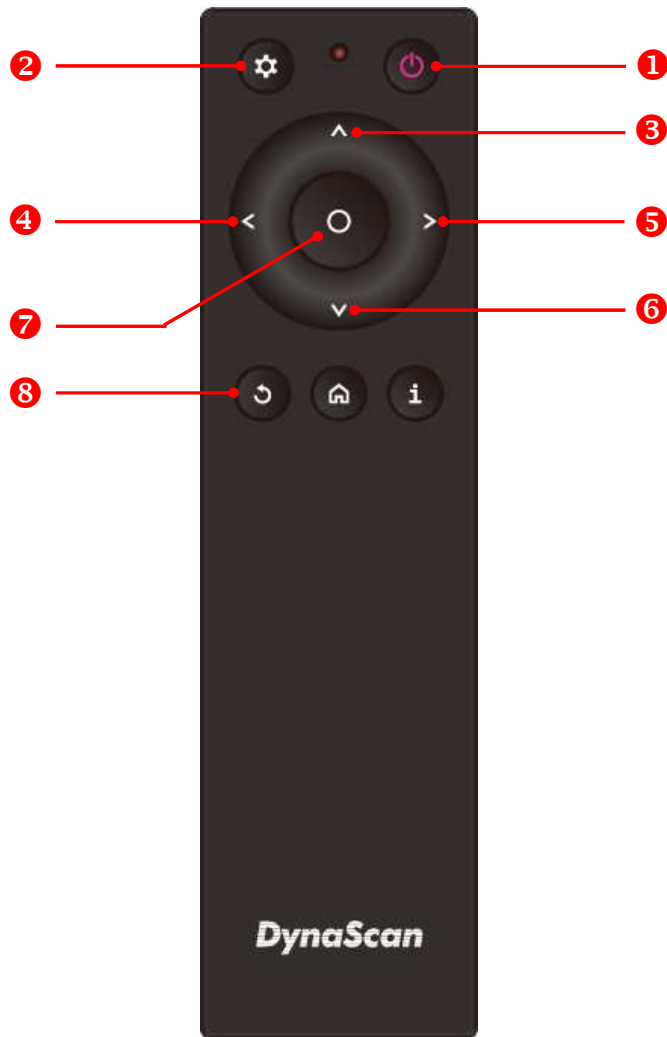
The operating range of the remote control is 2.5 meters (8 feet).

Ambient light may affect the performance of the remote control. Avoid fluorescent or neon lights in the vicinity.

DS551DR4



Using the Remote Control (cont.)



Color and shape may vary by model.

ITEM		DESCRIPTION
①	POWER	Power On / Off
②	MENU	OSD On / Off
③	UP	Move the cursor up or change the setting of selected item.
④	LEFT	Exit the current selection.
⑤	RIGHT	Select the highlighted item.
⑥	DOWN	Move the cursor down or change the setting of selected item.
⑦	OK	Enter (for DSM365 only)
⑧	BACK	Return to the last page. (for DSM365 only)



# Navigating the On Screen Display (OSD) Menu

Press the MENU button on either the rear panel control or remote control to show the OSD. Use the navigation arrows to select and adjust the menu items.

<b>Input Source</b>	Main	HDMI
Picture	Failover 1	DSM365
Time	Failover 2	CLONE
Backlight		
Advance		

<b>Input Source</b>	Main	HDMI
Picture	Failover 1	DSM365
Time		
Backlight		
Advance		

ITEM 1	ITEM 2	DEFAULT	DESCRIPTION
Input Source	Main	HDMI	Set the Main input to display.
	Failover 1	DSM365	Set the Failover 1 input to display.
	Failover 2	CLONE	Set the Failover 2 input to display. <b>Note:</b> This function only available on 1000 nit display.

<b>Input Source</b>	<b>Color Temperature</b>	<b>User</b>
<b>Picture</b>	R	100
Time	G	100
Backlight	B	100
Advance	Contrast	50
	Gamma	Native
	Black Level	RGB Full

ITEM 1	ITEM 2	DEFAULT	DESCRIPTION
Picture	Color Temperature	D65	Select the color temperature. (User, D93, D65 and D55).
	R		Adjust the red light level. Range 0 – 100. <b>Note:</b> The feature is only supported on User mode.
	G		Adjust the green light level. Range 0 – 100. <b>Note:</b> The feature is only supported on User mode.

	B		Adjust the blue light level. Range 0 – 100. <b>Note:</b> The feature is only supported on User mode.
	Contrast	50	Adjust the contrast level. Range 0 – 100.
	Gamma	Native	Adjusts the Gamma value. (Native, 2.2, 2.4 and sgamma)
	Black Level	RGB Full	Selects the black level to adjust the screen gray scale. "Limited" for video source uses 16 to 235 levels for R/G/B, such as HDMI. "RGB Full" for video source uses all levels from 0 to 255 levels.

Input Source	Current Date	2017/01/01
Picture	Current Time	12:00:00
<b>Time</b>	Power Control Timer	Off
Backlight	Power On Time	00:00
Advance	Power Off Time	00:00

ITEM 1	ITEM 2	DEFAULT	DESCRIPTION
Time	Current Date	YYYY:MM:DD	Set the date.
	Current Time	HH:MM:SS	Set the clock. <b>Note:</b> The internal clock will continue to function when the power is turned off.
	Power Control Timer	Off	Turn on / off automatic power schedule function.
	Power On Time	HH:MM	Set turn-on time.
	Power Off Time	HH:MM	Set turn-off time.

Input Source	Auto Brightness	Off
Picture	High Level	100
Time	Low Level	10
<b>Backlight</b>	High Level Time	00:00
Advance	Low Level Time	00:00
	Local Dimming	Medium

Input Source	Auto Brightness	Off
Picture	High Level	100
Time	Low Level	30
<b>Backlight</b>	High Level Time	00:00
Advance	Low Level Time	00:00
	Local Dimming	Medium

ITEM 1	ITEM 2	DEFAULT	DESCRIPTION
Backlight	Auto Brightness	Off	To turn On / Off the auto brightness adjustment. <b>Note:</b> If the AUTO BRIGHTNESS is off, the screen brightness will remain at HIGH LEVEL brightness value. If the AUTO BRIGHTNESS is on (Auto), the display brightness adjusts according to the ambient light. When ambient light is bright, the screen will adjust to the HIGH LEVEL brightness value set; when ambient light is dark, the screen will adjust to the LOW LEVEL brightness value set. When the Timer mode is set, the display will automatically switch the brightness according to the time set.
	High Level	100	Adjusts the highest brightness level. Range 0 – 100.
	Low Level	10(3000 nit)/ 30(1000 nit)	Adjusts the lowest brightness level. Range 0 – 100.
	High Level Time	HH:MM	Set high level time.
	Low Level Time	HH:MM	Set low level time.
	Local Dimming	Medium	Adjusts the contrast. High is the highest contrast. Off is the lowest contrast. (Off, Low, Medium and High)

Input Source	Display Mode	Auto
Picture	Screen Protection	Off
Time	IR Control	On
Backlight	Power Off Mode	Standby
Advance	Reset to Default Setting	Off

ITEM 1	ITEM 2	DEFAULT	DESCRIPTION
Advance	Display Mode	Auto	Change the Menu orientation. The Menu can be displayed in either LANDSCAPE or PORTRAIT mode.
	Screen Protection	Off	Turn on / off image burn-in protection. Set image burn-in protection interval. Range 1 – 100.
	IR Control	On	Enable/disable the remote control for Menu. <b>Note:</b> When disabled, the remote control function can be enabled again from the control panel on the display or through the DynaScan “Display Manager” application.
	Power Off Mode	Standby	When in Power Off Mode, RS-232 controls do not function. Only [Main Power Switch] on the display or [Power Button] on the remote control can wake up the display.
	Reset to Default Setting	Off	Restore all settings to default. <b>Note:</b> It does not modify CURRENT TIME, POWER ON TIME and POWER OFF TIME.

<b>Information 1</b>	Resolution	HDMI 1920x1080
<b>Information 2</b>	Model	DS551DR4
<b>Information 3</b>	Serial Number	551DR4XXXXXXXX
	Hardware	XXXXX
	Firmware	X.X.X
	Color Depth	8 bits

ITEM 1	ITEM 2	DEFAULT	DESCRIPTION
Information 1	Resolution		Input resolution.
	Model	DS551DR4	The display's model.
	Serial Number		The display's serial number.
	Hardware		The H/W version.
	Firmware		The F/W version.
	Color Depth		The color depth of current input.

<b>Information 1</b>	Temperature (BLU)	27°C/ 80°F
<b>Information 2</b>	Temperature (Amb.)	No Connection
<b>Information 3</b>	ALS Level (Amb.)	10

ITEM 1	ITEM 2	DEFAULT	DESCRIPTION
Information 2	Temperature (BLU)		LCD inner (backlight unit) temperature monitoring.
	Temperature (Amb.)		LCD outer (ambience) temperature monitoring. (temperature sensor installation is necessary)
	ALS Level (Amb.)		The brightness of ambience monitoring. (Ambience Light Sensor)

Information 1	Over Heat Protection	Inactive
Information 2		
Information 3		

ITEM 1	ITEM 2	DEFAULT	DESCRIPTION
Information 3	Over Heat Protection	Inactive	It will enter into protection mode when the display internal temperature is over heat. 56°C = Brightness 50%. 61°C = Brightness 25%. 66°C = Brightness 03%. When the temperature is decreased to exit the protection, the brightness will restore to 100% and Over Heat Protection is disabled.

Some functions may not be available for all models.



\*Adjusted value: Each R/G/B value for this product has been individually adjusted during production to a preset color temperature of 6500K.

# Specifications

MODEL		DS551DR4
PANEL	LCD Panel Size	54.64 inches
	Native Resolution	1920 x 1080
	Brightness	1000 / 3000 cd/m <sup>2</sup> (Typ.)
	Contrast Ratio	3,000:1
	Response Time	9 ms (Typ.)
	Viewing Angle	178° / 178°
	Life Time	100,000 hrs (Typ.)
	Panel Surface	AR 1.5%, 2H
POWER	Power Supply	Internal
	Rated Voltage	100 ~ 240V, 50 / 60Hz
	Power On Mode	Typ. 240W / Max. 380W
	Standby Mode	< 1W
MECHANICAL SPECS	Bezel Width (T/B/L/R)	68/68/68/68 mm
	Cabinet Color	Black
	Monitor Dimension (LxHxD, w/o Stand)	1353.8 x 62.7 x 824.3 mm
	Monitor Weight (set / package)	49 kg / 54 kg
	Stand Dimension (WxDxH)	998 x 398 x 1048 mm (package)
	Stand Weight (set / package)	35 kg / 41 kg
USER INTERFACE	OSD Language	English
ENVIRONMENT	Operation Temperature	0°C ~ 45°C
	Storage Temperature	-20°C ~ 60°C
	Humidity	10%~80% RH Non-Condensing
I/O Ports	HDMI	IN *2
	RS-232	IN *1
	RJ-45	*2
	USB port	*2
Fuse		6.3A



Design and specifications are subject to change without notice.

# Input Mode

---

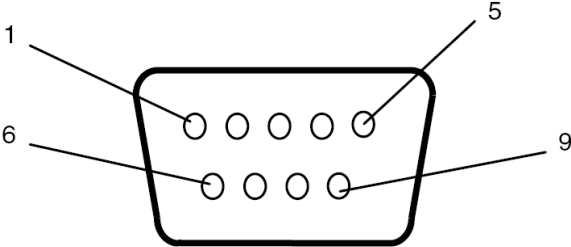
Active Resolution		Refresh Rate	Pixel Rate	Aspect Ratio
H Pixels	V Lines			
640	480	60 Hz	25.175 MHz	4:3
720	480	59.94 Hz	27 MHz	4:3
800	600	60 Hz	40 MHz	4:3
1024	768	60 Hz	65 MHz	4:3
1280	720	60 Hz	74.25 MHz	16:9
1280	768	60 Hz	79.5 MHz	5:3
1360	768	60 Hz	85.5 MHz	16:9
1920	1080	60 Hz	148.5 MHz	16:9

# Pin Assignments

---

## RS-232 Input

PIN No.	NAME
01	Connected to 7&8
02	TXD
03	RXD
04	Connected to 6
05	GND
06	Connected to 4
07	Connected to 1&8
08	Connected to 1&7
09	NC





# Troubleshooting

ISSUE	RECOMMENDED SOLUTION
No input image is displayed.	<ul style="list-style-type: none"> <li>● Check whether the cable is completely plugged in.</li> <li>● Check whether the main switch is in the ON position, and the power cord is completely plugged in.</li> <li>● Check whether the image source's resolution is set as the supported format (refer to section "Input Mode", p.26).</li> <li>● Check whether the cable is damaged or bent excessively.</li> </ul>
Nothing happens when switching the main switch on.	<ul style="list-style-type: none"> <li>● Unplug the power cord from the socket and plug it in again after a few seconds to reset the Signage. <b>Note:</b> Unplugging the power cord will not change the settings.</li> </ul>
Input image is unstable.	<ul style="list-style-type: none"> <li>● Check whether the cable is completely plugged in.</li> </ul>
The remote control does not work.	<ul style="list-style-type: none"> <li>● Check whether there are batteries in the remote control.</li> <li>● Check the batteries for freshness, polarity, etc.</li> <li>● Check whether the remote is in the operation range.</li> <li>● Bright light may interfere with the remote control. Please avoid using the remote control near special fluorescent lights or neon lights.</li> </ul>
Auto on/off does not work or does not function properly.	<ul style="list-style-type: none"> <li>● Check whether the TIMER setting in the menu is set to "OFF".</li> <li>● Check whether the "Power On Time" and "Power Off Time" settings are set correctly.</li> </ul>
Cannot control the display remotely via RS-232.	<ul style="list-style-type: none"> <li>● Check whether the RS-232 cable is connected properly.</li> </ul>

If you are still having trouble with your DynaScan DS<sup>2</sup> Professional LCD, contact your dealer or DynaScan directly for more assistance.

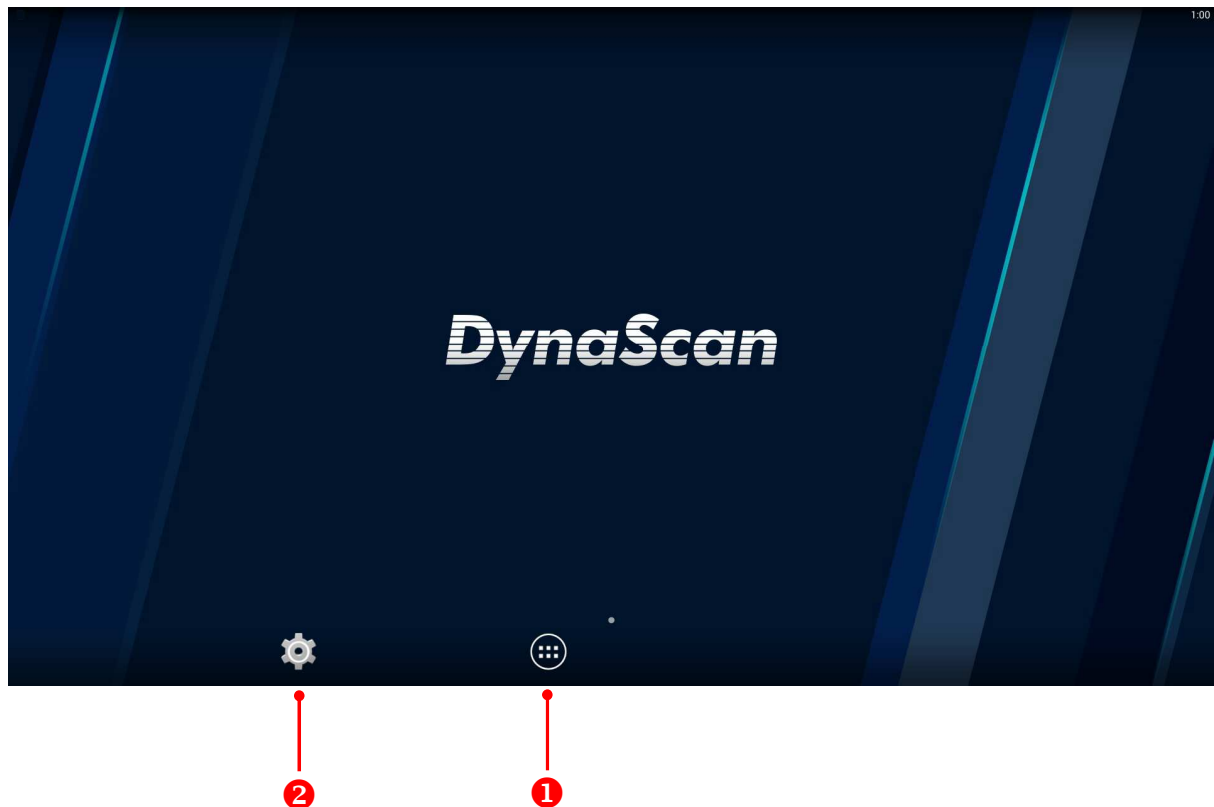
# About DSM365

DSM365 is an internal operating system as Android, which can install the applications via USB flash drive storage, SD card or Internet.

## How to Switch to DSM365

- Press the MENU button on either the rear panel control or remote control to show the OSD.
- Use the navigation arrows to select and adjust the Input Source.  
[Input Source → Main → DSM365]

<b>Input Source</b>	<b>Main</b>	<b>DSM365</b>
Picture	Failover 1	HDMI
Time	Failover 2	CLONE
Backlight		
Advance		



ITEM		DESCRIPTION
❶	APPS	Show the Installed APPS.
❷	SETTINGS	Enter the setting menu.

[www.dynascanusa.com](http://www.dynascanusa.com)

Copyright © DynaScan Technology, Inc. All Rights Reserved.