

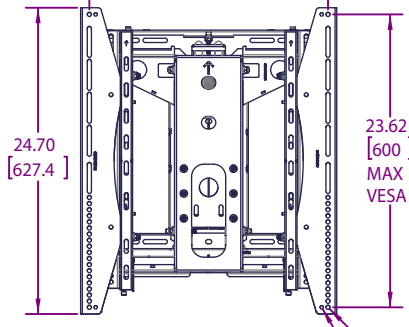
THE INFORMATION CONTAINED IN THIS DRAWING IS THE SOLE PROPERTY OF VOGEL'S PRODUCTS BY ANY REPRODUCTION IN PART OR WHOLE WITHOUT THE WRITTEN PERMISSION OF VOGEL'S PRODUCTS BY IS PROHIBITED.



BACK PLATE TILT ADJUSTMENT FROM 0° TO 1°

IN/OUT TOTAL ADJUSTMENT .250" [6.35]

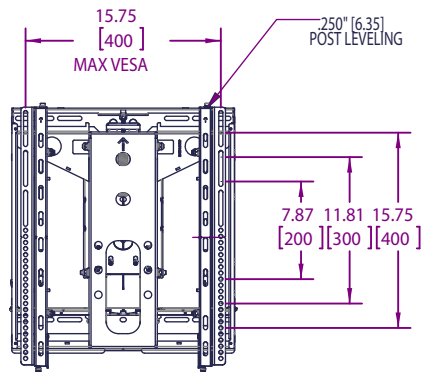
19.25 [488.9]
MAX VESA



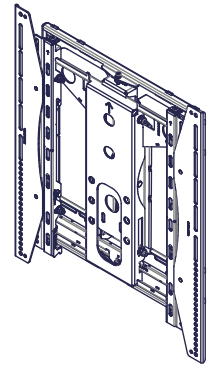
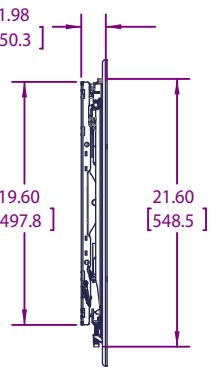
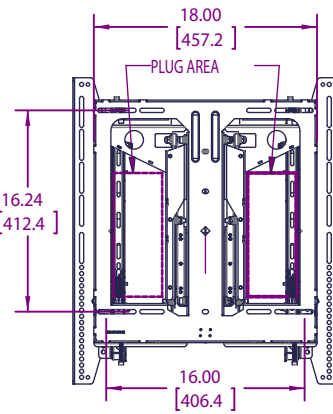
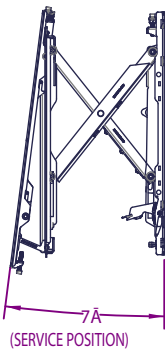
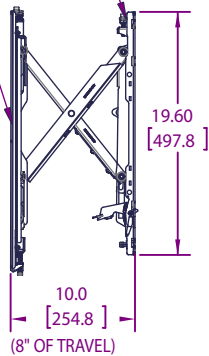
(SHOWN WITH ADAPTERS)

VESA PATTERN (200X200 MIN - 400 X 400 MAX) WITH EXT. ADAPTER (400 X 600 MAX)

∅ .334 [8.5]
∅ .280 [7.1]



(SHOWN WITHOUT ADAPTERS)



ITEM DESCRIPTION:
PPW 6885

SIZE: B DWG. NO.:

SCALE: 1:8

SHEET 1 OF 1