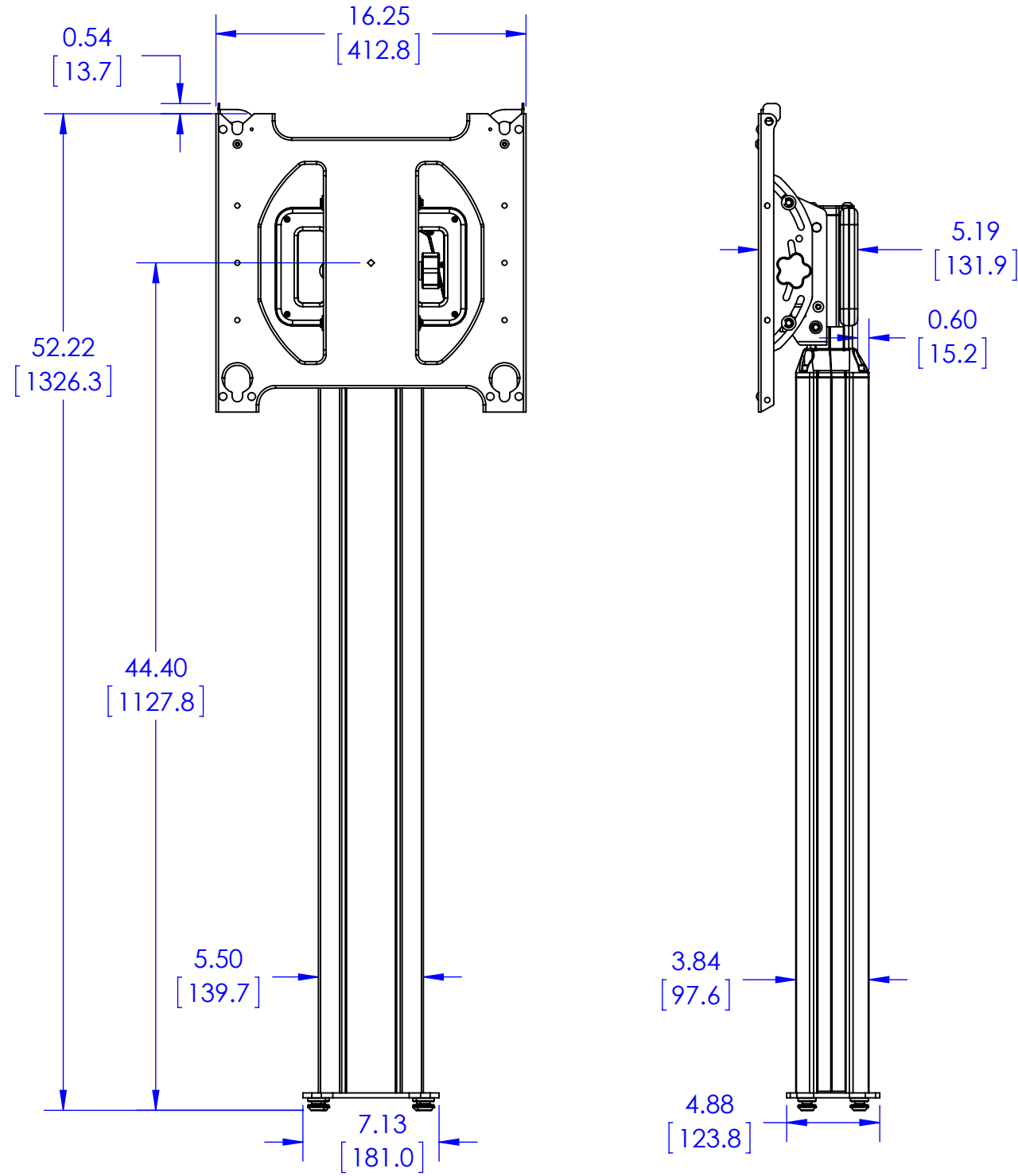


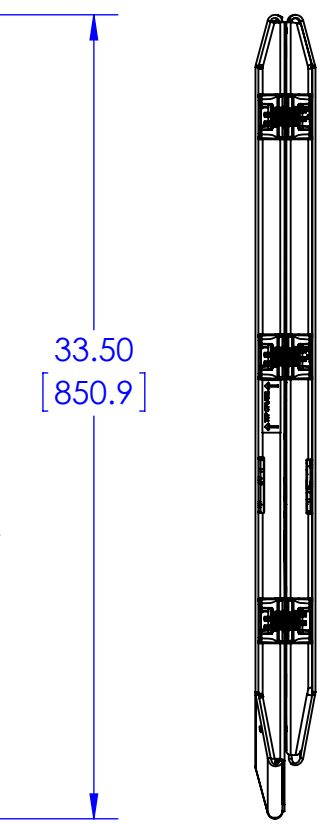
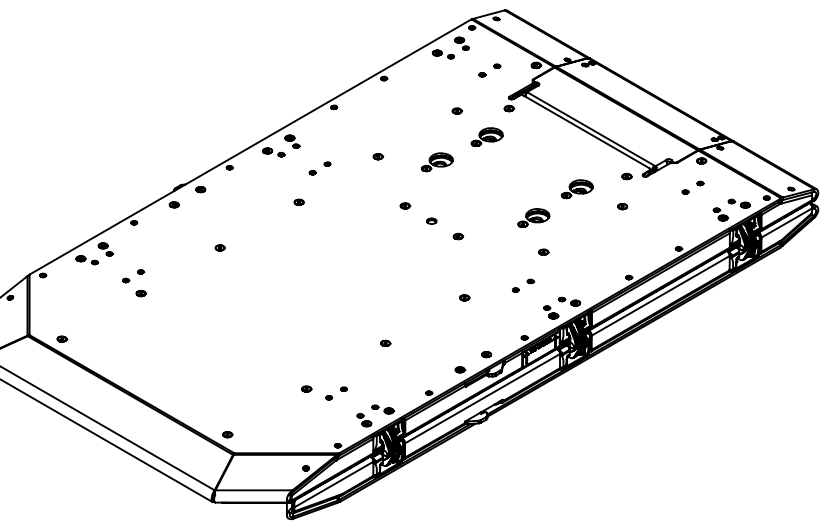
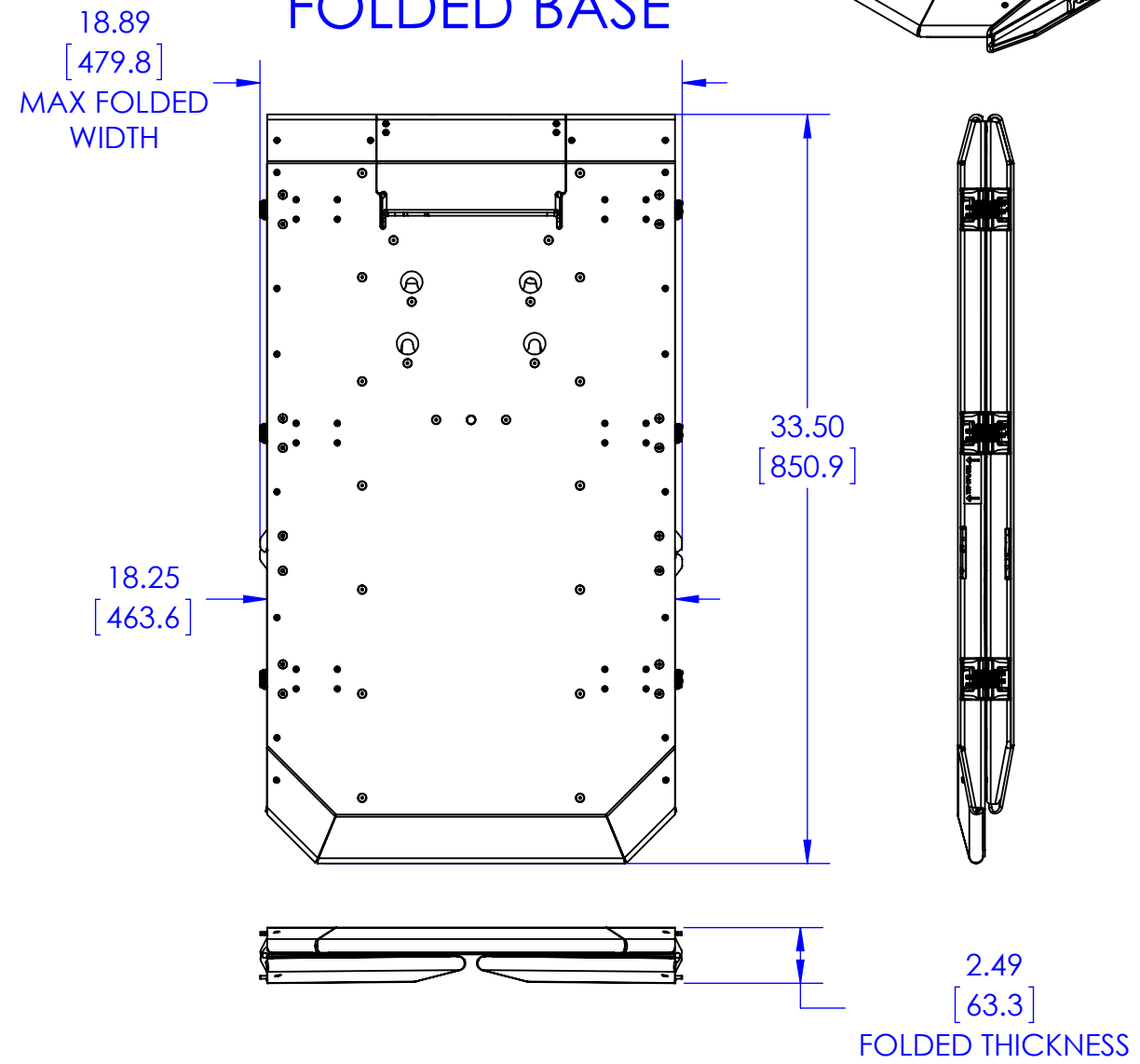
WEIGHT CAPACITY: 200 LBS (90.7 KG)

CAD GENERATED DRAWING, DO NOT MANUALLY UPDATE.				
DRAWN BY	MJS	10/26/2016	DESCRIPTION	
ENG APPROVAL	MJS	10/26/2016	PRSU TECH DRAWING	
MFG APPROVAL			MODEL NO.	
QA APPROVAL			PRSU	
SHEET 1 OF 2	SCALE	SIZE	DWG. NO.	REV.
	1:12	B	TECH-000816	02

DETACHED COLUMN



FOLDED BASE



CAD GENERATED DRAWING, DO NOT MANUALLY UPDATE.				
DRAWN BY	MJS	10/26/2016	DESCRIPTION PRSU TECH DRAWING	
ENG APPROVAL	MJS	10/26/2016		
MFG APPROVAL				
QA APPROVAL			MODEL NO. PRSU	
SHEET 2 OF 2		SCALE 1:8	SIZE B	DWG. NO. TECH-000816
				REV. 02